

CANIS GO 420

Our entry-level Canis Go 420 is as good as it gets. While it is lighter than the original, the operational lumen output is just as high. Best suited to construction, forestry, agriculture, and material handling, the Canis Go 420 has a round form factor and pedestal mounting, it produces zero emissions (EMC CISPR 25 class 5) and its light output is 1800 lumens.



Not all products are available in all markets. During continuous improvement specifications and design are changing. All values are nominal values. Illustrations do not necessarily show the design of every version and some features are version specific. The lumens output varies depending on lens colour.

TECHNICAL DATA

Theoretical Lumens Output	2800 lm	Vibration	8Grms 24-2000Hz
Operational Lumens Output	1800 lm	Lens	Grilamid® (registered trademark of EMS-GRIVORY)
Colour Temperature	5000 K	Body / Housing	Aluminium
Nominal Voltage DC	12 - 24 V	Weight	0.5 kg
Input Voltage DC	9 - 16 V 18 - 32 V	IP Rating	IP68, IPK6K9K
Power Consumption	28 W	Salt Spray Test	ISO 9227 240H
Nominal Current at	24V=1.00A, 12V=1.80A	EMC	CISPR 25 Class 5, EN12895, ISO 13766, ISO 14982, ISO 7637-2
Connector	Built-in Deutsch DT-2 (2-pin)	Operating Temperatures	-40°C... +85°C (Overheat protected)
Mount	Single Bolt M8	Part number	Wide Flood: 988-101B, Flood: 988-102B
Shock	60G		

CONNECTORS



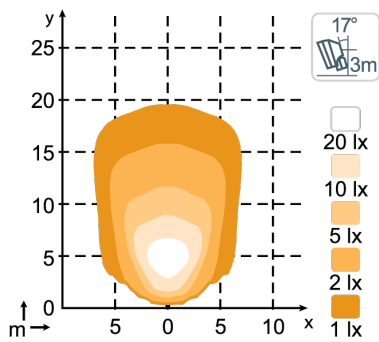
Built-in Deutsch DT-2 (2-pin)

KEY FEATURES

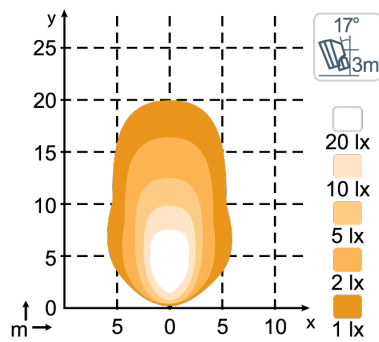
- Dimmable & Cost effective all-rounder
- Operational lumens output: 1800lm
- Pure performance in a compact design

LIGHT PATTERNS

**Canis Go 420 1800lm
Wide Flood**



**Canis Go 420 1800lm
Flood**



DRAWINGS

